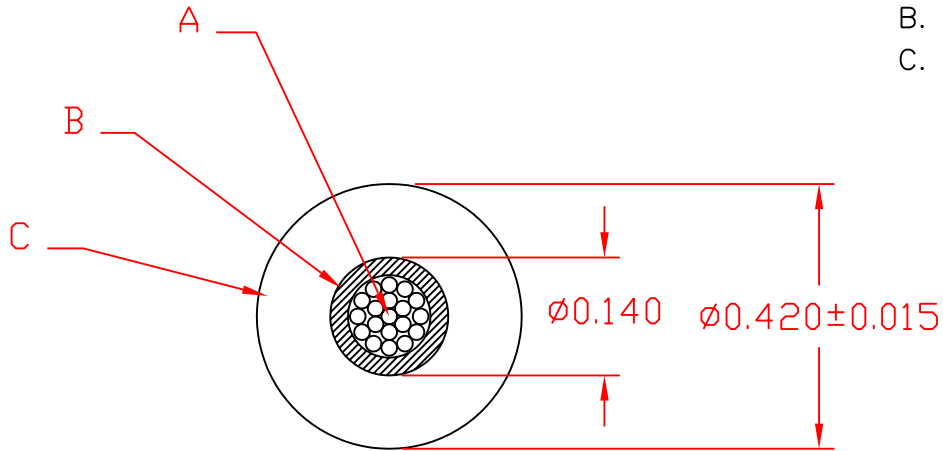


LEGEND

- A. 12AWG (19X 25AWG) SILVER PLATED COPPER
- B. SEMI CON SILICONE TO $\phi.140$
- C. SILICONE RUBBER TO $\phi.420 \pm .015$



REVISIONS

THIS DOCUMENT AND THE INFORMATION CONTAINED IN IT ARE THE PROPERTY OF DIELECTRIC SCIENCES, INC AND SHALL NOT BE REPRODUCED OR COPIED OR USED AS THE BASIS FOR THE MANUFACTURE OF APPARATUS WITHOUT PERMISSION.

REV	ECO NUMBER	APPD	DATE	UNLESS OTHERWISE SPECIFIED
-	RELEASE DRAWING			DIMENSIONS ARE IN INCHES TOLERANCE ON
				DECIMALS ANGLES .XX ±.01 ± .XXX ±.005
				CONCENTRICITY .005 TIR REMOVE BURRS & SHARP EDGES ALL MACHINE SURFACES 125 \checkmark

DIELECTRIC SCIENCES, INC CHELMSFORD, MASSACHUSETTS 01824			
CABLE: 1/C #12 AWG ; 80KVDC			
SIZE A	FSCM NO. 50509	DWG NO. 2229	REV
SCALE		SHEET	OF