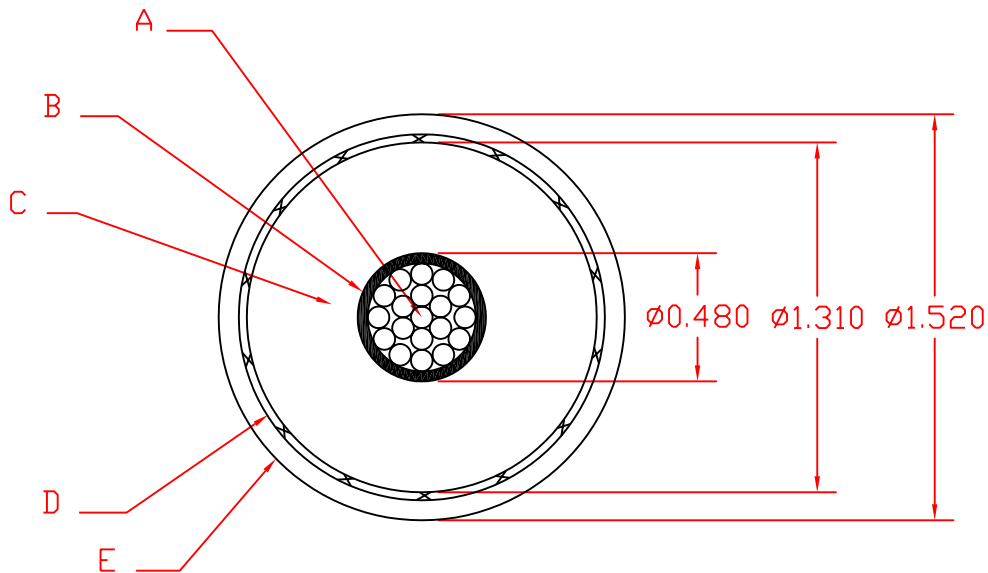


LEGEND



- A. #00 COPPER, 19 STRANDS, COMPRESSED, $\phi 0.405$
- B. SEMICONDUCTIVE POLYETHYLENE
- C. INSULATING POLYETHYLENE, LDHMMW, NATURAL
- D. TINNED COPPER SHIELD, #30AWG, 8 ENDS, 48 CARRIER
90% COVERAGE WITH 1.5 - 2.0 MIL MYLAR TAPE 1/2
LAPPED OVERALL
- E. PVC JACKET, BLACK, NO PRINT, 0.075 WALL

TOLERANCE: $\pm 2\%$ ANY DIAMETER
 CAPACITANCE: 37 PICO FARADS/FT
 IMPEDANCE: 41 Ω

REVISIONS

THIS DOCUMENT AND THE INFORMATION CONTAINED IN IT ARE THE PROPERTY OF DIELECTRIC SCIENCES, INC AND SHALL NOT BE REPRODUCED OR COPIED OR USED AS THE BASIS FOR THE MANUFACTURE OF APPARATUS WITHOUT PERMISSION.

REV	ECO NUMBER	APPD	DATE
-	RELEASE DRAWING		

UNLESS OTHERWISE SPECIFIED

DIMENSIONS ARE IN INCHES
TOLERANCE ON

DECIMALS	ANGLES
.XX $\pm .01$	\pm
.XXX $\pm .005$	

CONCENTRICITY .005 TIR
 REMOVE BURRS & SHARP EDGES
 ALL MACHINE SURFACES 125 \checkmark

⊙ ◻

DRAWN	DATE
JAG	02NOV88
CHECKED	DATE
APPROVED	DATE
MATERIAL	
FINISH	

DIELECTRIC SCIENCES, INC
 CHELMSFORD, MASSACHUSETTS 01824

CABLE, COAXIAL, #00 AWG

SIZE	FSCM NO.	DWG NO.	REV
A	50509	2158	
SCALE		SHEET	OF